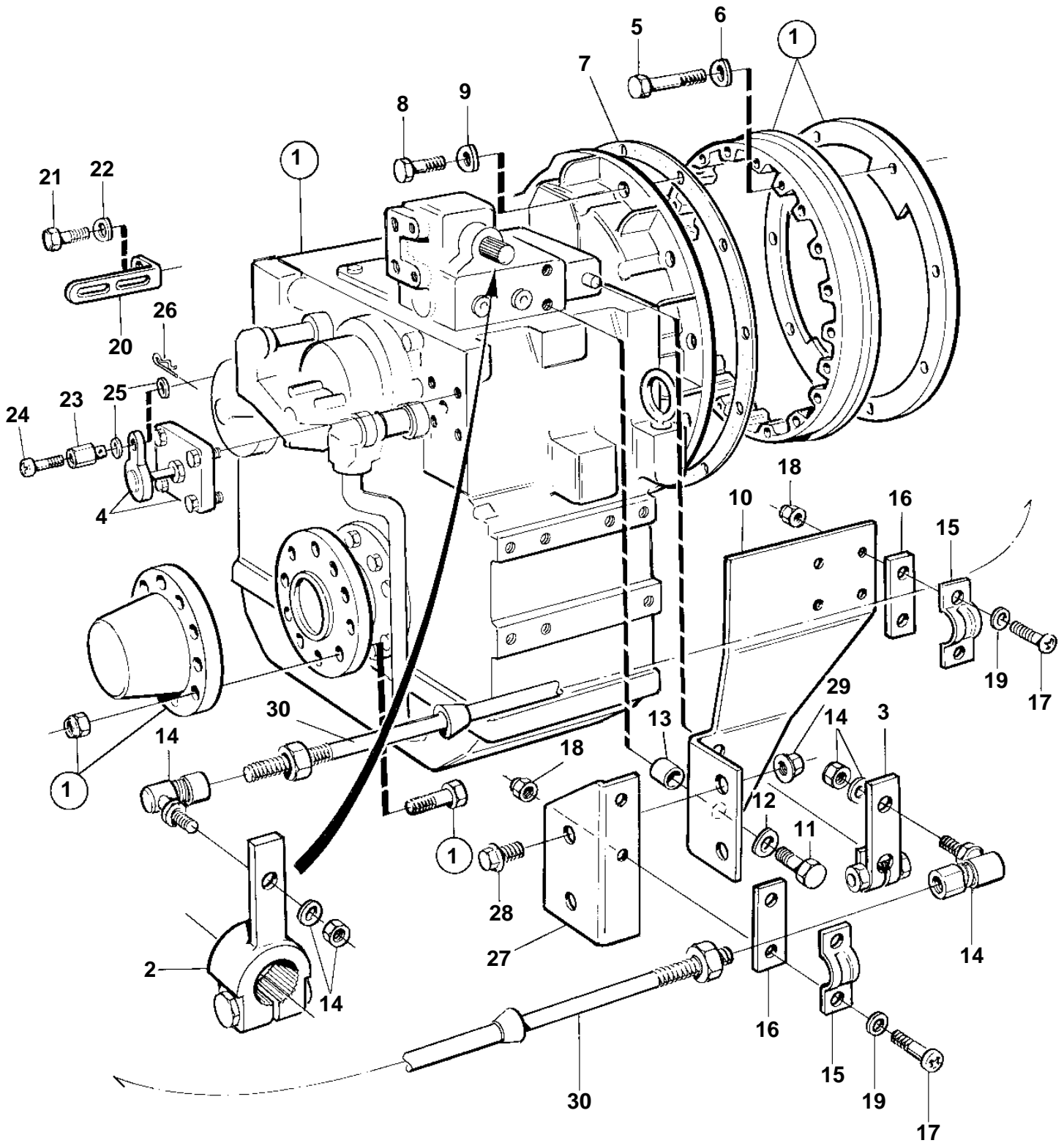


TAMD162C



16342

TAMD162C

REF	PART NO.	QTY	DESCRIPTION	SEE SEC.	NOTES
1		1	Reversing gear		RATIO 3.61:1
		1	Reversing gear		RATIO 4.06:1
		1	Reversing gear		RATIO 4.53:1
		1	Reversing gear		RATIO 5.14:1
2		1	· Control arm		
3		1	· Control armslip-valve		
4		1	· Oil filter		
5	955571	8	Screw		
6	940280	8	Spring washer		
7	862661	1	Gasket		
8	940160	12	Screw		
9	941909	12	Spring washer		
10	866686	1	Bracket	SO	
11	955295	2	Screw		
12	941907	2	Spring washer		
13	807184	2	Spacer sleeve		
14	842782	2	Ball joint		
15	819067	2	Brace		For control cable type 333.
	6853782	2	Clamp		For control cable type 443.
16	819068	2	Washer		
17		4	Screw		
18	951672	4	Nut		
19	940090	4	Washer		
20	965558	1	Bracket		
21	955294	1	Screw		
22	941907	1	Spring washer		
23	833133	1	Cube		
24	192010	1	Screw		
25	960140	2	Washer		
26	664822	1	Lock spring		
27		1	Bracket		
28	955294	2	Screw		
29	945408	2	Flange nut		
30		X	Control cable	231	